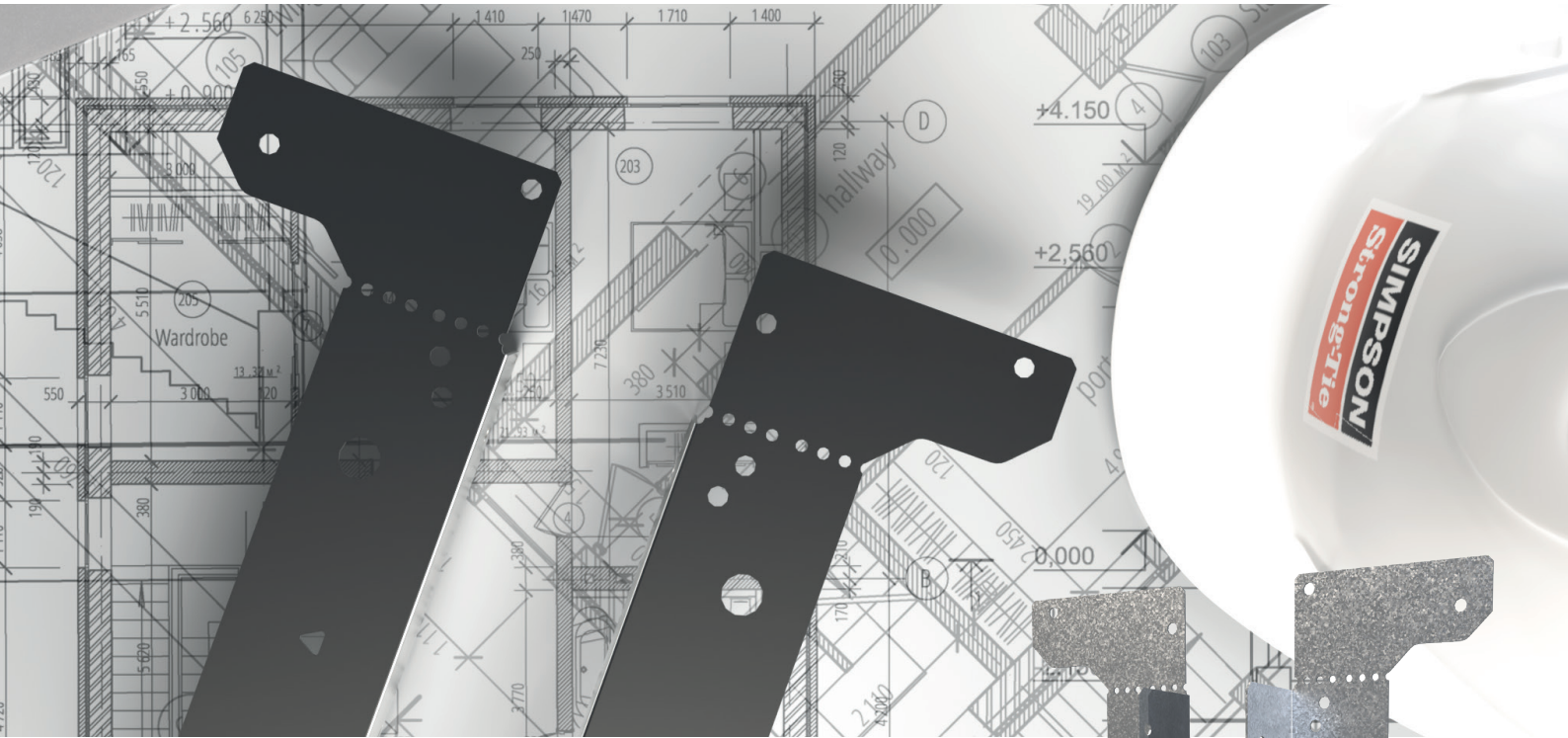


EWH

Universal Joist Hanger for Timber to Timber Connections



EWH, new universal I-beam connector

Universal, flexible and simple to install, the EWH hanger is an engineered hanger that has been designed to fulfil a wide variety of installation options.

Suitable for use with combinations of the following:

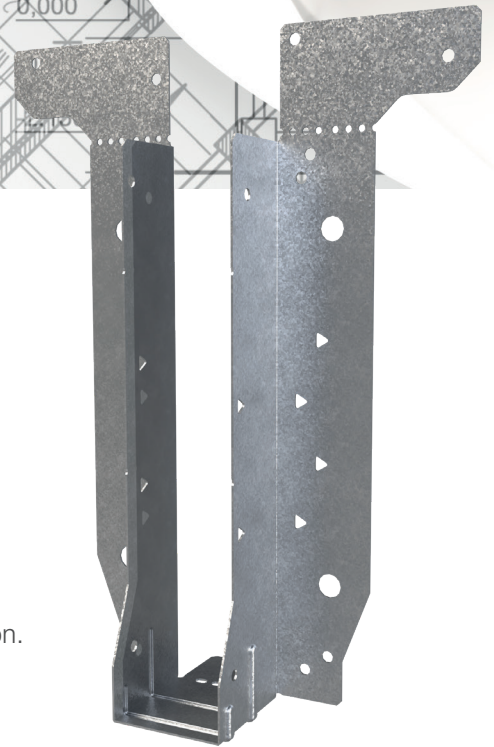
Headers: I-Joists, Metal Web Joists, Solid Timber and SIP's.

Joists: I-Joists, Metal Web Joists, and Solid Timber.

Note: Solid timber refers to LVL, Glulam or Solid Sawn Timber..

Features:

- Choice of installation options - Top Fix, Face Fix.
- Hanger supplied with top flange straight so that it can be bent on site to accommodate a range of joist heights.
- Perforations allow the top flange to be snapped off for face fix installation option.
- Optional triangular holes for increased download and uplift performances.
- Seat tab for ease of installation.
- Seat tab can be bent upwards for installations where the header is deeper than the joist.



N3.75x30

CNA4.0x35

CSA5.0x40

SSH8.0x40

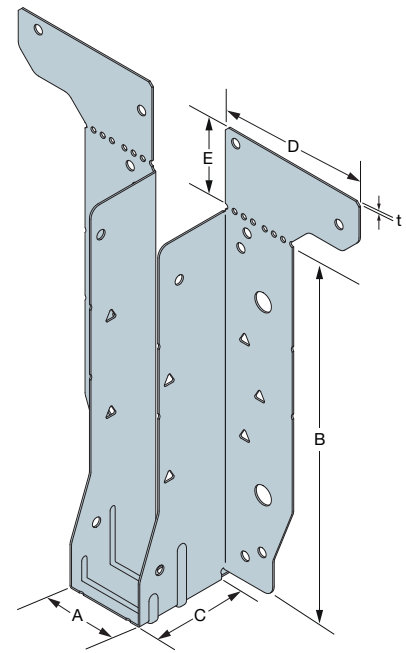
WA-M8x68



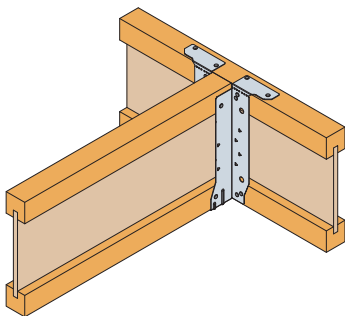
EZG
20 µm

Sizes:

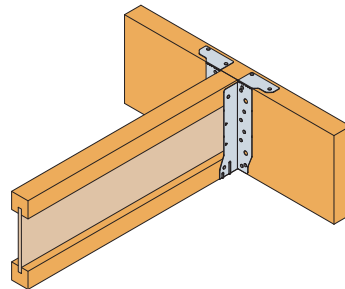
Catalogue No	Dimensions [mm]					Qty holes				
	A	B	C	D	t	Header			Joist	
						Ø5	Ø10	Δ 4	Ø5	Δ 4
EWH195/47	47	195	50	80	0,9	12	4	6	4	4
EWH219/47		219	50	80	0,9			8		
EWH235/47		235	50	80	0,9			10		
EWH300/47		300	50	80	0,9			10		
EWH195/60	60	195	50	80	0,9	12	4	6	4	4
EWH219/60		219	50	80	0,9			8		
EWH235/60		235	50	80	0,9			10		
EWH300/60		300	50	80	0,9			10		
EWH195/91	91	195	50	80	0,9	12	4	6	4	4
EWH219/91		219	50	80	0,9			8		
EWH235/91		235	50	80	0,9			10		
EWH300/91		300	50	80	0,9			10		



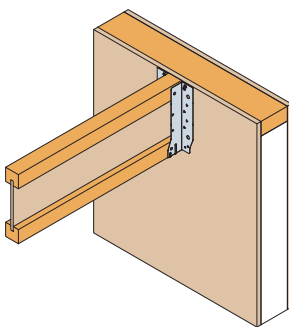
Application:



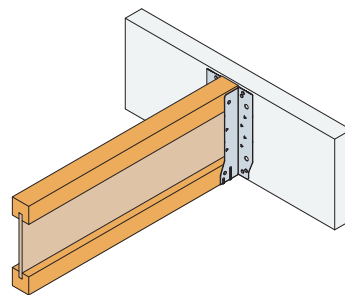
Top Fix: standard installation
I-beam to I-beam



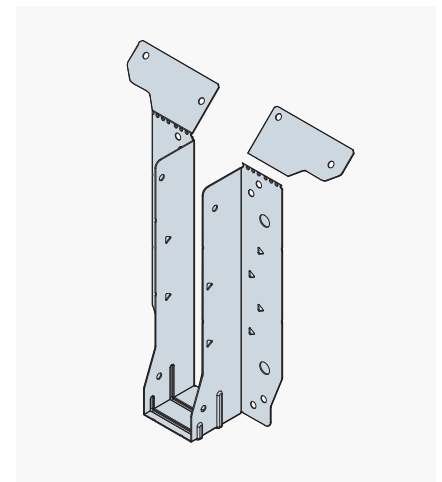
Top Fix: standard installation
I-beam to beam



Typical SIP installation
with I-Joist



Typical standard
installation I-beam to
concrete



Perforations allow the top flange to be snapped off for face fix installation option.

NOTE: The top flange may be broken off before or after installation.

